



Magnificent cuisine demands pure, fresh ingredients.

Gaggenau offers the perfect cooling appliances for food storage, keeping your groceries flavorful and fresh for longer. Delicate items are stored at 35°F. Vegetables, cheese, wine – everything is stored according to its needs.

Without compromise, adhering to the same principles of the professional appliance. Gaggenau's revolutionary technology is now offered in a full line of cooling appliances, offering a range of unique sizes and varieties. Every single layout and configuration wish comes true. Always with the utmost concern for form, in stainless steel or aluminum – or a beautiful minimalist fully integrated into the cabinet front.

Particular highlights include:

- The unlimited combination possibilities of the new modular column refrigeration, freezers and wine storage units
- The new stainless steel interior
- The new lighting concept

aluminum door bins These adjustable bins offer plenty of storage space and have a variety of uses. They are made of solid, anodized aluminum, which is particularly hygienic and easy to clean, as well as preventing odor transfer from food.

Automatic defrosting with water evaporation of condensation water Automatic defrosting ensures that the freezer compartment evaporator is defrosted at regular intervals, leaving the temperature in the freezer compartment virtually unchanged. What little defrosted water there is drains into a container at the back of the appliance and evaporates. During the defrosting process, the minimum storage temperature is maintained in the freezer compartment.

Fully integrated appliances can be fully built into the cabinet, flush to neighboring furniture elements, allowing for custom décor door panels.

Dynamic cool air distribution The dynamic cool air distribution system with its ventilator ensures that the temperature is more evenly distributed within the compartment, allowing items to be stored for longer. With the Multi-Air-Flow, an additional air channel behind the door bins and extra air outlets inside the compartment achieve an even faster air distribution and ensure equal temperature levels on all shelves.

Electronic temperature control With more precise temperature control, food can be stored for longer. The keypad with digital temperature display is used for all settings, including special functions.

Fast cooling Similar in function and effect to the fast freezing system. Automatic quick-chilling gives maximum chilling power, thus helping to prevent warming of items already stored when new items are placed in the refrigerator. The appliance automatically returns to normal operation.

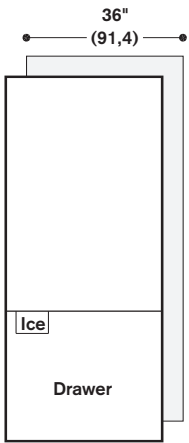
Fast freezing This maximum power setting reduces the extent to which already frozen items warm up when unfrozen items are added to the compartment. What's more, fast freezing has a beneficial effect on the durability and quality of the frozen food after thawing. The cell structures of frozen foods are not destroyed, and taste and freshness are preserved. The appliance automatically returns to normal operation.

Humidity control A humidity regulator is used to maintain natural moisture levels. This creates ideal storage conditions for fruit and vegetables, salad, fresh herbs, etc., which stay fresh and crisp-looking and keep their flavor longer, while retaining vitamins and other nutrients.

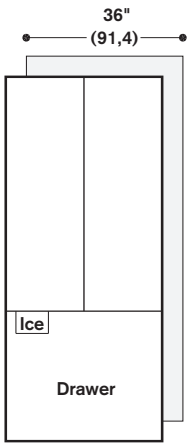
Ice and water dispenser The external dispenser provides crescent shaped ice cubes and chilled water. The water dispenser accommodates glasses, large pitchers and sports bottles. Integrated ice maker in the freezer compartment. Water connection required. Storage time after a malfunction The time in which the temperature in a fully loaded freezer compartment takes to rise to 16°C. When compartments are not fully loaded, shorter times apply.

Trays Trays come in birch with aluminum frame. The display tray showcases valuable bottles, on each level of the storage cabinet.

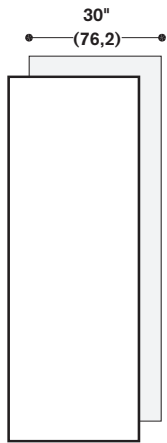
Vacation mode for refrigerators This energy-saving program is for when food needs to remain safely refrigerated and frozen while you are away for long periods. At this setting, defrosting is less frequent than normal, which saves both energy and costs.



RB 491



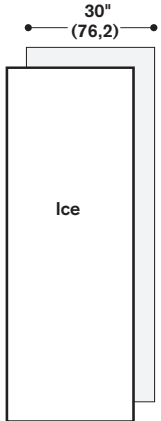
RY 491



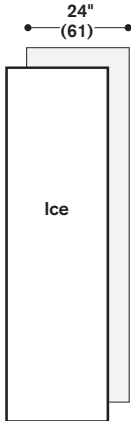
RC 472



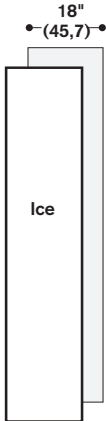
RC 462



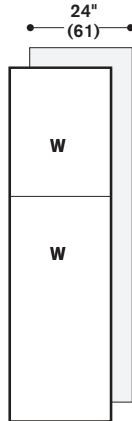
RF 471



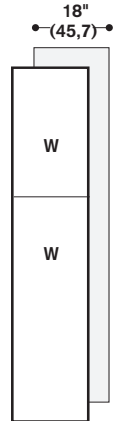
RF 461



RF 411



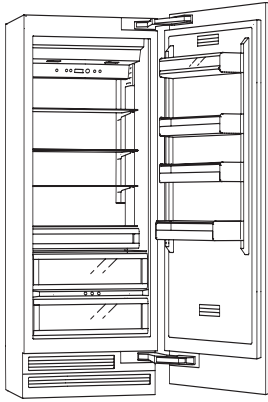
RW 464



RW 414

Refrigerator Column

Fully integrated



RC 462-700

Width 24"

RC 472-700

Width 30"

RC 4.2-700

– Fully integrated appliances.
Doors open to a 115-degree angle, so that the large drawers can be pulled out completely.

– Temperature control drawer (32°F to 37°F) for the storage of delicate food, such as fish, meat or vegetables.

– Motorized glass shelf continuously variable, even when fully loaded. For highest volume efficiency.

Niche height 84".
Net volume 13.1/17.0 cu.ft.

Electronic temperature control with digital temperature display, Dynamic cool air distribution with Multi-Flow Air System. Activated charcoal filter. Energy-saving vacation mode. Open-door and malfunction warning system.

Cooling compartment:

Net volume 13.1 cu.ft.
No-frost technology with fast cooling.
Temperature adjustable from 35° to 46°F.
Four safety glass shelves, three of which are adjustable (one motorized, two manually).
Two fully extendable drawers (low and high) with transparent front.
One continuous, fully extendable drawer with transparent front.
Two fully extendable drawers with transparent front.
Bright interior lighting with two ceiling spotlights and two halogen light pillars on the side.
Solid aluminum door bins.
One large gallon door bin.
Two height-adjustable door bins.
One bin with front flap.

Temperature control drawer:

Net volume: 2/2.6 cu.ft.
Separate automatic temperature control, with settings for poultry, fish, meat and produce.
A large, fully extendable drawer with transparent front and integrated lighting.

Energy consumption 0.40/0.44 kWh/24 hrs.

Optional accessories:

RA 421-610 Stainless steel door

panel with handles for RC 462. Panel thickness 3/4".

RA 421-630* Aluminum door

panel with handles for RC 462. Panel thickness 3/4".

RA 421-710 Stainless steel door

panel with handles for RC 472. Panel thickness 3/4".

RA 421-730* Aluminum door

panel with handles for RC 472. Panel thickness 3/4".

RA 461-612 Ventilation grill

Stainless steel, for RC 462 right hinged

RA 461-613 Ventilation grill

Stainless steel, for RC 462 left hinged

RA 461-712 Ventilation grill

Stainless steel, for RC 472 right hinged

RA 461-713 Ventilation grill

Stainless steel, for RC 472 left hinged

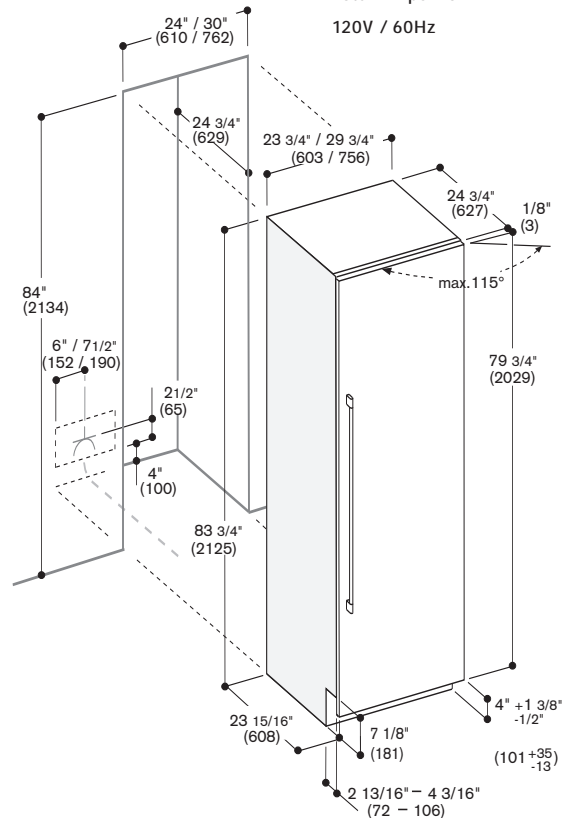
*Later availability

Planning notes:

Flat hinge.
Door hinges on the right from factory, but reversible if necessary.
Plan the electric outlet behind the appliance per installation instruction.

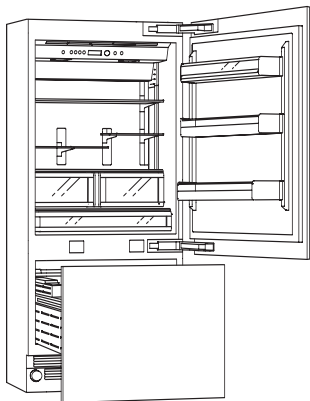
Rating:

Total rating: RC 472: 0.31 kW
RC 462: 0.27 kW
Connecting cable length 78".
Total Amps: 15.
120V / 60Hz



Numbers indicated inside parenthesis () = mm

Bottom Freezer
With integrated ice maker
Fully integrated



RB 491-700
Two door bottom freezer.
Width: 36"

RY 491-700
Three door bottom freezer.
Width: 36"

Included accessories:
 ice scoop

RB/RV 491-700
 – Fully integrated appliances.
 Doors open to a 115-degree angle,
 so the large drawers can be pulled
 out completely.

– One asymmetrically split shelf
 and one motorized glass shelf to
 make best use of the refrigerator's
 interior space.

– Integrated automatic ice maker
 in the freezer drawer.

Niche height 84".
 Niche width 36"
 Net volume 19.6 cu.ft.

Electronic temperature control
 with digital temperature display,
 Dynamic cool air distribution with
 Multi-Flow Air System.
 Activated charcoal filter.
 Automatic defrosting
 Open-door and malfunction
 warning system.
 Energy-saving vacation mode.

Cooling compartment:
 Net volume 14.3 cu.ft.
 No-frost technology with
 fast cooling.
 Temperature adjustable
 from 35° to 46°F.
 Two continuous safety glass
 shelves with aluminum profiles,
 one of which is motorized.
 Asymmetrically split shelf,
 manually adjustable.
 One continuous, fully extendable
 drawer with transparent front.
 Two fully extendable drawers with
 transparent front.
 Bright interior lighting with two
 ceiling spotlights and two halogen
 light pillars on the side.
 Solid aluminum door bins.
 One large gallon bin per door.
 Two height-adjustable bins
 per door.
 One bin with front flap per door.

Freezer compartment:
 Net volume 5.3 cu.ft.
 No-frost technology with
 fast freezing.
 Temperature adjustable
 from 7° to -9°F.
 Two fully extendable drawers.
 Interior lighting with two
 spot lights.

Ice dispenser:
 Integrated automatic ice maker
 in the freezer compartment,
 with ice bin.
 Ice making capacity approx.
 3.3 lbs./24 hrs.
 Supply at normal operation
 approx. 8.8 lbs.
 Ice maker can be switched
 off independently.

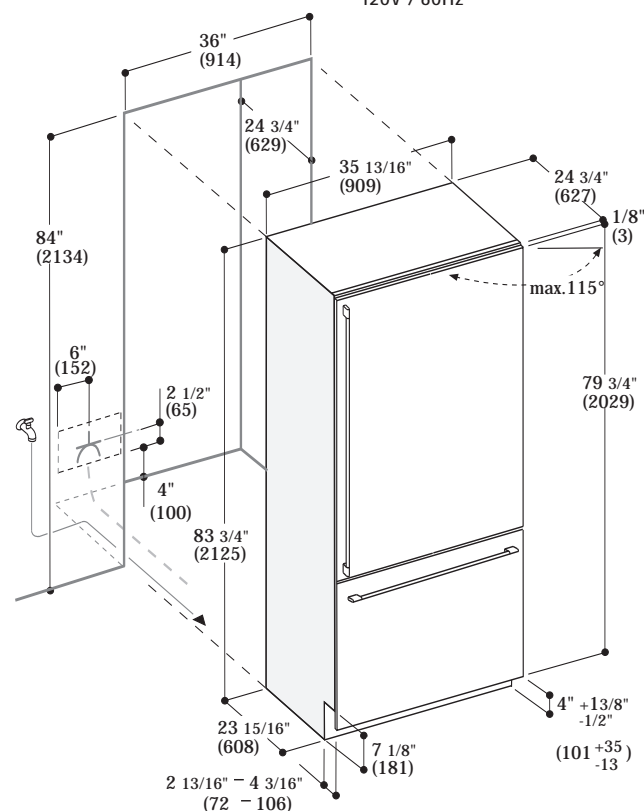
Energy consumption
 1.15/1.31 kWh/24 hrs.

Optional accessories:	RA 035-030
	Aluminum Bottle cooler
	RA 421-910 Stainless steel door
	panel with handles for RB 491. Panel thickness 3/4".
	RA 421-912 Stainless steel door
	panel with handles for RY 491. Panel thickness 3/4".
	RA 421-930* Aluminum door
	panel with handles for RB 491. Panel thickness 3/4".
	RA 421-932* Aluminum door
	panel with handles for RY 491. Panel thickness 3/4".
	RA 461-910 Ventilation grill
	Stainless steel, for RB 491 and RY 491.
	RA 450-010 Activated charcoal
	filter for water filter system including saturation indication, for RB 491 and RY 491.

*Later availability

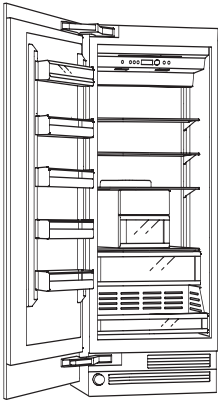
Planning notes:
 Flat hinge.
 Door hinges on the right,
 reversible (for RB 491-200).
 Plan the electric outlet
 behind the appliance per
 installation instruction.

Rating:
Total rating: load: 0.57kW.
Water connection.
Connecting cable length 78".
Supply hose length 118".
Total Amps: 15.
120V / 60Hz



Numbers indicated
 inside parenthesis () = mm

Freezer Column
With integrated ice maker
Fully integrated



RF 411-700

Width 18"

RF 461-700

Width 24"

RF 471-700

Width 30"

Included accessories:

ice scoop

RF 4.1-700

– Fully integrated appliances. Doors open to a 115-degree angle, so that the large drawers can be pulled out completely.

– Stainless steel, aluminum and glass interior to keep the refrigerator naturally hygienic, just like in a professional kitchen.

– Integrated automatic ice maker in the freezer drawer, with water connection.

Niche height 84".
 Net volume 7.7/11.2/14.9 cu.ft.

Electronic temperature control with digital temperature display. Automatic defrosting with defrost water evaporation. Open-door and malfunction warning system. Energy-saving vacation mode

Freezer compartment:
 Fast freezing.
 Temperature adjustable from 7° to -9°F.
 Four solid metal shelves, three of which are manually adjustable.
 A large, fully extendable drawer with transparent front.
 A regular, fully extendable drawer with transparent front.
 Interior lighting with two spots.
 Four solid aluminum door bins, three of which are height-adjustable, one has a front flap.

Ice dispenser:
 Integrated ice maker in the freezer compartment, with ice bin. Ice making capacity approx. 3.3 lbs./24 hrs. Supply at normal operation approx. 8.8 lbs. Ice maker can be switched off separately. Water filter with saturation indication integrated in the toe-kick
 Energy consumption 0.84/0.96/1.16 kWh/24 hrs.

Optional accessories:

- RA 035-030 Aluminum Bottle cooler
- RA 421-110 Stainless steel door panel with handles for RF 411. Panel thickness 3/4".
- RA 421-130* Aluminum door panel with handles for RF 411. Panel thickness 3/4".
- RA 421-610 Stainless steel door panel with handles for RF 461. Panel thickness 3/4".
- RA 421-630* Aluminum door panel with handles for RF 461. Panel thickness 3/4".
- RA 421-710 Stainless steel door panel with handles for RF 471. Panel thickness 3/4".
- RA 421-730* Aluminum door panel with handles for RF 471. Panel thickness 3/4".

RA 461-110 Ventilation grill	Stainless steel, for RF 411, right-hinged.
RA 461-111 Ventilation grill	Stainless steel, for RF 411, left-hinged.
RA 461-610 Ventilation grill	Stainless steel, for RF 461, right-hinged.
RA 461-611 Ventilation grill	Stainless steel, for RF 461, left-hinged.
RA 461-710 Ventilation grill	Stainless steel, for RF 471, right-hinged.
RA 461-711 Ventilation grill	Stainless steel, for RF 471, left-hinged.
RA 450-010 Activated charcoal filter for water filter system including saturation indication.	

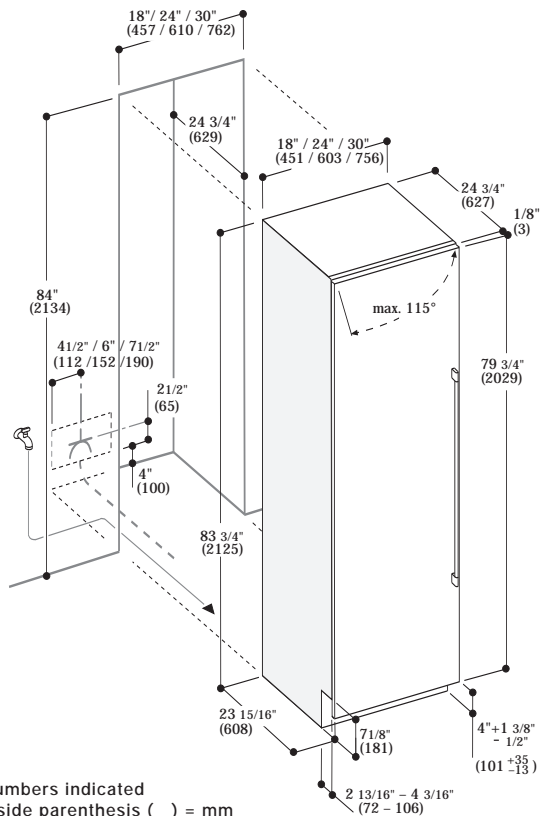
*Later availability

Planning notes:

Flat hinge.
 Door hinges on the left, reversible if necessary. Plan the electric outlet behind the appliance per installation instruction.

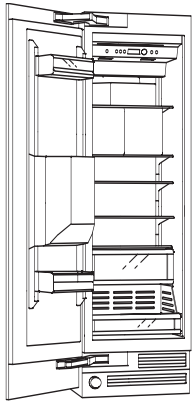
Rating:

Total connected load: 0.37/0.42/0.50 kW.
 Water connection.
 Connecting cable length 78".
 Supply hose length 118".
 Total Amps: 15.
 120V / 60Hz



Numbers indicated inside parenthesis () = mm

Freezer Column
with ice and water dispenser
Fully integrated



- RF 463-700*
- Right-hinged, width 24"
- RF 463-701*
- Left-hinged, width 24"

*Planned availability mid 2007

RF 463-700*/701*

- Fully integrated appliances. Doors open to a 115-degree angle, so that the large drawers can be pulled out completely.
- Stainless steel, aluminum and glass interior to keep the refrigerator naturally hygienic, just like in a professional kitchen.
- Integrated automatic ice maker with water connection and dispenser for ice cubes, crushed ice and chilled water.

Niche height 84".
 Niche width 24".
 Net volume 12.2 cu.ft.

Electronic temperature control with digital temperature display. Automatic defrosting with defrost water evaporation. Energy-saving vacation mode. Open-door and malfunction warning system.

Freezer compartment:
 Fast freezing. Temperature adjustable from 7° to -9°F. Four solid metal shelves, three of which are manually adjustable. A large, fully extendable drawer with transparent front. A regular, fully extendable drawer with transparent front. Interior lighting with two ceiling spots. Four solid aluminum door bins, three of which are height-adjustable, one has a front flap.

Ice dispenser:
 Integrated automatic ice maker in the freezer compartment, with ice bin. Ice cubes and crushed ice. Anti-Clump ice system. Ice making capacity approx. 3.3 lbs./24 hrs. Supply at normal operation approx. 8.8 lbs. Chilled water supply approx 1.3 quarts. Ice and water dispenser accommodates large pitchers and sports bottles. Illuminated ice and water dispenser. Ice maker can be switched off separately.

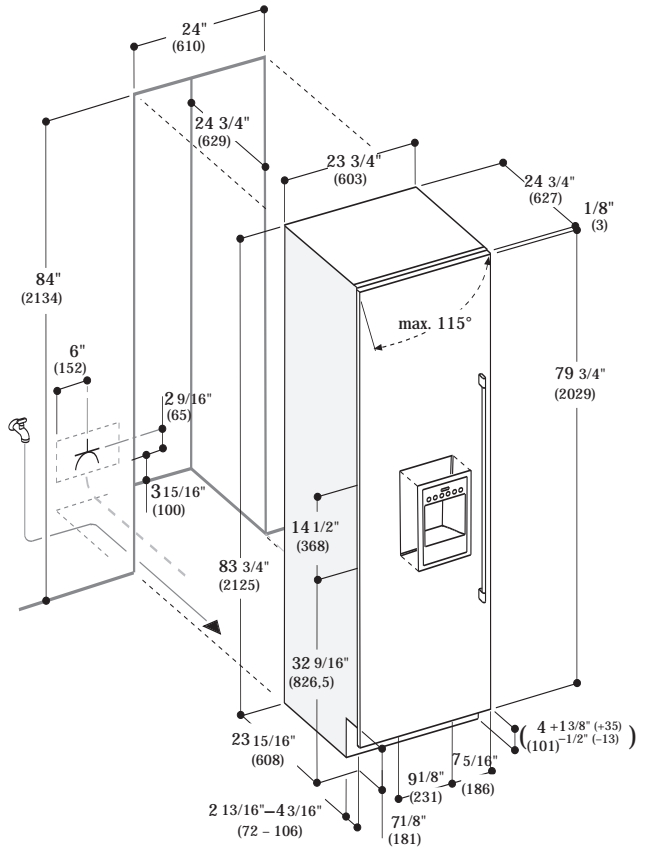
Energy consumption 0.40/0.44 kWh/24 hrs.

Optional accessories:	RA 035-030
	Aluminum bottle cooler
	RA 422-610 Stainless steel door panel with handles for RF 463. Panel thickness 3/4".
	RA 422-630* Aluminum door panel with handles for RF 463. Panel thickness 3/4".
	RA 461-614 Ventilation grill
	Stainless steel, for RF 463, right hinged
	RA 461-615 Ventilation grill
	Stainless steel, for RF 463, left hinged
	RA 450-010 Activated charcoal filter for water filter system including saturation indication.

*Later availability

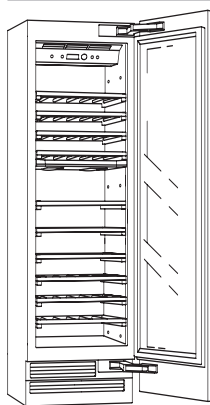
Planning notes: Flat hinge. Door hinges on the right, reversible if necessary. Plan the electric outlet behind the appliance per installation instruction.

Rating: Total connected load 0.5 kW. Water connection. Connecting cable length 78". Supply hose length 118". Total Amps: 15. 120V / 60Hz



Numbers indicated inside parenthesis () = mm

Wine Storage and
Temperature Control Cabinet
With two temperature zones
Fully integrated



RW 414-760

Width 18"

RW 464-760

Width 24"

RW 4.4-760

- Fully integrated appliances.
Doors open to a 115-degree angle,
so that the large drawers can be
pulled out completely.

- Two separate temperature
zones, both continuously variable
from 41° to 64°F. For perfect
storage conditions for red and
white wines, or for separating
long-term from short-term
storage.

- Fully extendable trays in
aluminum and beech. Optional
special display trays to showcase
valuable bottles and an aluminum
tray for opened bottles or
decanters.

Niche height 84".
Capacity 71/103 bottles
(based on 0.75 liter standard
bottles)

Net volume: 13.9 / 9.7
Electronic temperature control
with digital temperature display,
Dynamic cool air distribution.
Activated charcoal filter.
Energy-saving vacation mode.
Open-door and malfunction
warning system.

Temperature adjustable from
40° to 65°F. Two separate
temperature zones, both
continuously variable. Ten sliding
bottle trays in beech with
aluminum profiles. Can also
store magnum bottles.

Interior lighting integrated in
the ceiling and the temperature
divider, can be switched on for
the lower temperature zone even
when the door is closed.

Optional accessories:

RA 491-131 Bottle tray in beech

with aluminum profiles for
RW 414.

RA 491-631 Bottle tray in beech

with aluminum profiles for RW 464.

RA 493-030 Special display trays

in aluminum (set of 3 for 3
bottles).

RA 492-130 Sliding aluminum tray

for RW 414.

RA 492-630 Sliding aluminum tray

for RW 464.

RA 421-111 Stainless steel door

frame with handle for RW 414, left-
hinged.

RA 421-112 Stainless steel door

frame with handle for RW 414,
right-hinged.

RA 421-131* Aluminum door

frame with handle for RW 414,
left-hinged.

RA 421-132** Aluminum door

frame with handle for RW 414,
right-hinged.

RA 421-611 Stainless steel

door frame with handle for
RW 464, left-hinged.

RA 421-612 Stainless steel

door frame with handle for
RW 464, right-hinged.

RA 421-631 Stainless steel

door frame with handle for
RW 464, left-hinged.

RA 421-632 Stainless steel

door frame with handle for
RW 464, right-hinged.

RA 461-112 Ventilation grill

Stainless steel, for RW 414,
right-hinged.

RA 461-113 Ventilation grill

Stainless steel, for RW 414,
left-hinged.

RA 461-612 Ventilation grill

Stainless steel, for RW 464,
right-hinged.

RA 461-613 Ventilation grill

Stainless steel, for RW 464,
left-hinged.

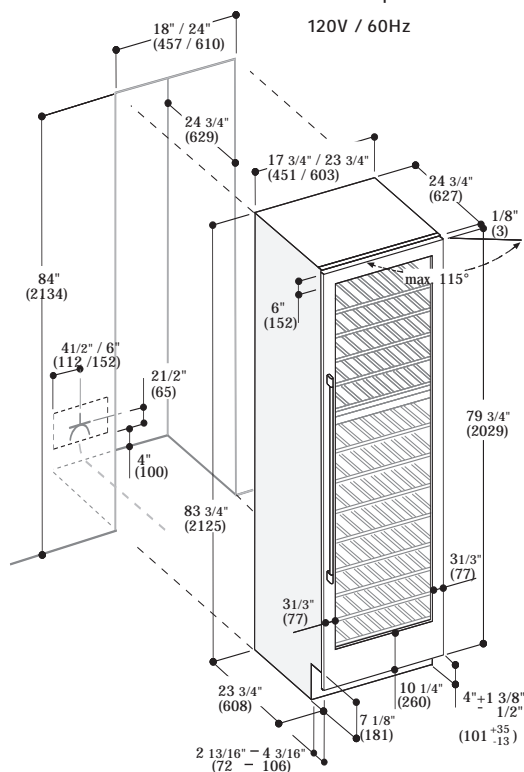
**Later availability

Planning notes:

Flat hinge.
Door hinges on the right,
reversible if necessary.
Plan the electric outlet
behind the appliance per
installation instruction.

Rating:

Total connected load: N/A
Connecting cable length 78".
Total Amps: 15.
120V / 60Hz



Numbers indicated
inside parenthesis () = mm

Additional planning notes for modular cooling system

All cooling appliances can be installed in a side-by-side set up, which requires additional installation accessories.

On the side, the cooling appliance is only retained at the upper and lower part of the niche, opposite the hinge. There is no retention at the side of the hinge, because the finger protection slides in between the case of the appliance and the adjacent cabinetry. The side walls of the adjacent cabinetry have to be dimensionally stable.

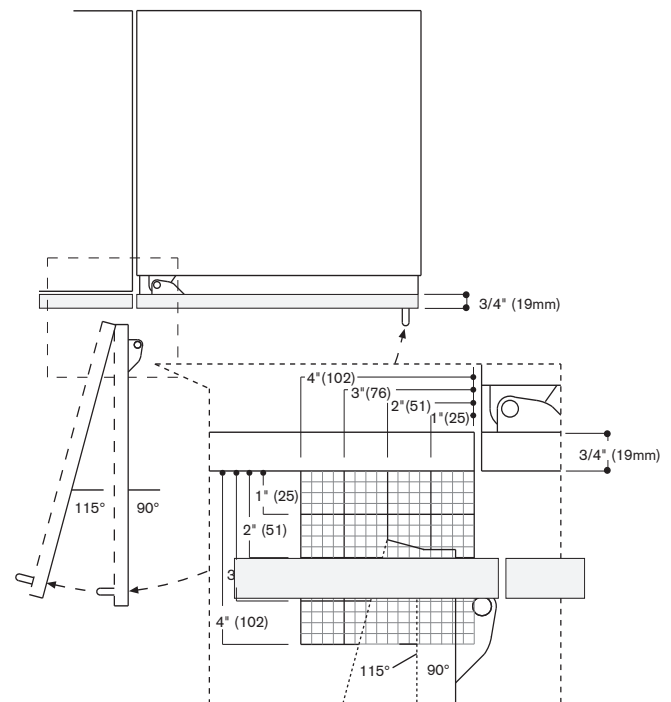
If cooling appliances are joined at the side of the hinge, one must plan an additional, dimensionally stable wall for the finger protection to function properly.

With all appliance combinations, an installation kit needs to be installed in between the appliances to avoid condensation. This additional heating kit is not necessary if the distance between the appliances is greater than 6", or when the appliances are installed in a side-by-side set up.

Installation accessories:	RA 450-000 Mechanical filter if use of supplied water filter is not necessary.
	RA 450-010 Water filter (for replacement).
	RA 460-000 Installation kit for side-by-side installation (for connecting any two columns).
	RA 460-010 Heating kit if columns are not attached and less than 6" apart.
	RA 460-020 Connecting element for vertically split appliance fronts (for a flush front).
	RA 460-030 Connecting element for vertically split appliance fronts (for two door bottom freezer combination).
	RA 460-040 Finger protection for extra long furniture fronts.
	RA 425-110 Long handle Stainless steel. Length 45", with three brackets. Drilling distance between each bracket 22".
	RA 425-130 Long handle Aluminum. Length 45", with three brackets. Drilling distance between each bracket 22".

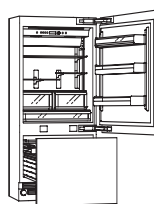
RA 425-510 Short handle Stainless steel. Length 32" with two brackets. Drilling distance between the brackets 31". To use for bottom freezer drawer.
RA 425-530 Short handle Aluminum. Length 32" with two brackets. Drilling distance between the brackets 31". To use for bottom freezer drawer.

The space needed for the hinge and the consequential distance to the adjacent cabinetry and its handle can, depending on the panel thickness, be seen in the following drawing.

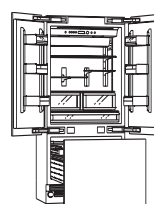


Numbers indicated inside parenthesis () = mm

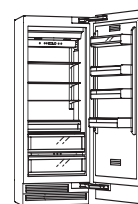
Refrigerator and freezer columns, wine storage units



RB 491



RY 491



RC 472

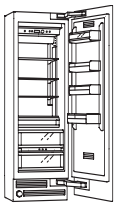
Version	Bottom Freezer*	Bottom Freezer*	Refrigerator
Fully integrated, with two doors, 36" niche	RB 491-700		
Fully integrated, with three doors, 36" niche		RY 491-700	
Fully integrated, 30" niche			RC 472-700
Fully integrated, 24" niche			
Fully integrated, 18" niche			
Fully integrated, with glass-framed door, 24" niche			
Fully integrated, with glass-framed door, 18" niche			
Dimensions			
Height in inches (mm)	83 3/4" – 85 7/16" (2125–2170)	83 3/4" – 85 7/16" (2125–2170)	83 3/4" – 85 7/16" (2125–2170)
Width in inches	36"	36"	30"
Depth including wall clearance (inches)	24"	24"	24"
Weight when empty (lbs)	379	379	320
Type and identification			
Door hinge right, left/reversible	r/rev.	-/-	r/rev.
Full stainless steel door panels/custom door panels	-/◦	-/◦	-/◦
Volume/energy efficiency			
Cooling (C)/freezing (F)/fresh* cooling (FC) modes	C/F	C/F	C/FC/-
Total gross volume/total net volume (cu.ft.)	19.7/19.6	19.7/19.6	17.5/17
Number of 0.75 liter bottles	-	-	-
Daily energy* consumption per 100 l (3.5 cu.ft.) of net volume (kWh)	0.21	0.24	0.09
Feature			
Electronic* temperature control	•	•	•
Vacation* mode	•	•	-
Fresh cooling zones with humidity* control	-	-	1
Cooling zones with humidity* control	-	-	-
Temperature display internal/external	•/-	•/-	•/-
Automatic* defrosting: cooling/fresh cooling/freezer compartment	•/-/•	•/-/•	•/•/-
Malfunction, visual/audible warning signal	•/•	•/•	•/•
Door open, visual/audible warning signal or door lock indication	-/•	-/•	-/•
Cooling section (fresh cooling zone) with dynamic* cold air distribution			
Fast* cooling	•	•	•
Door bins with flap or sliding door (amount)	1	2	1
Door bins (amount)	2	4	3
Glass* shelves in the cooling compartment continuous/split (amount)	1/2	1/2	3/-
Drawers in the cooling compartment (amount)	3	3	3
Wine* and champagne bin	-	-	•
aluminum* door bins	3	6	4
Fast* freezing	•	•	-
Storage* time after a malfunction (hrs.)	22	22	-
Interior compartments/containers/ice cube trays (amount)	-/2/1	-/2/1	-
Rating			
Total Rating (W)	574	574	311
Water connection inlet/outlet	•/-	•/-	-/-
Total Amps	15	15	15

• Standard - Not available ◦ Optional accessory

¹ Available June 2007.

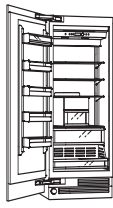
² This information was not available at the time of printing.

* For an explanation in the lexicon "The A-Z of the Gaggenau refrigerators and freezers", see pages 134–135.



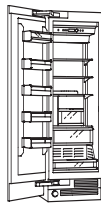
RC 462

Refrigerator



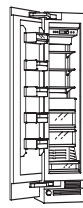
RF 471

Freezer



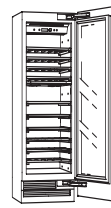
RF 461

Freezer



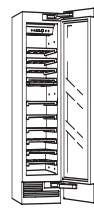
RF 411

Freezer



RW 464¹

Wine



RW 414¹

Wine

RC 462-200	RF 471-200	RF 461-200	RF 411-200	RW 464-200	RW 414-200
83 3/4" - 85 7/16" (2125-2170)	83 3/4" - 85 7/16" (2125-2170)	83 3/4" - 85 7/16" (2125-2170)	83 3/4" - 85 7/16" (2125-2170)	83 3/4" - 85 7/16" (2125-2170)	83 3/4" - 85 7/16" (2125-2170)
24	30	24	18	24	18
24	24	24	24	24	24
289	320	289	240	289	240
r/rev. -/o	l/rev. -/o	l/rev. -/o	l/rev. -/o	r/rev. -/o	r/rev. -/o
C/FC/-	-/-/F	-/-/F	-/-/F	Wine	Wine
13.4/13	15.6/14.9	12/11.2	8.4/7.7	14.9/13.9	10.5/9.7
-	-	-	-	103	70
0.13	0.27	0.31	0.39	N.N. ²	N.N. ²
•	•	•	•	•	•
-	-	-	-	-	-
1	-	-	-	-	-
-	-	-	-	2	2
•/-	•/-	•/-	•/-	•/-	•/-
-/-/•	-/-/•	-/-/•	-/-/•	•/-/-	•/-/-
•/•	•/•	•/•	•/•	•/•	•/•
-/•	-/•	-/•	-/•	-/•	-/•
•	-	-	-	-	-
1	1	1	1	-	-
3	4	4	4	-	-
3/-	-	-	-	-	-
3	-	-	-	-	-
•	-	-	-	-	-
4	5	5	5	-	-
-	•	•	•	-	-
-	19	19	14	-	-
-	3/2/1	3/2/1	3/2/1	-	-
266	501	421	366	N.N. ²	N.N. ²
-/-	•/-	•/-	•/-	-/-	-/-
15	15	15	15	15	15

